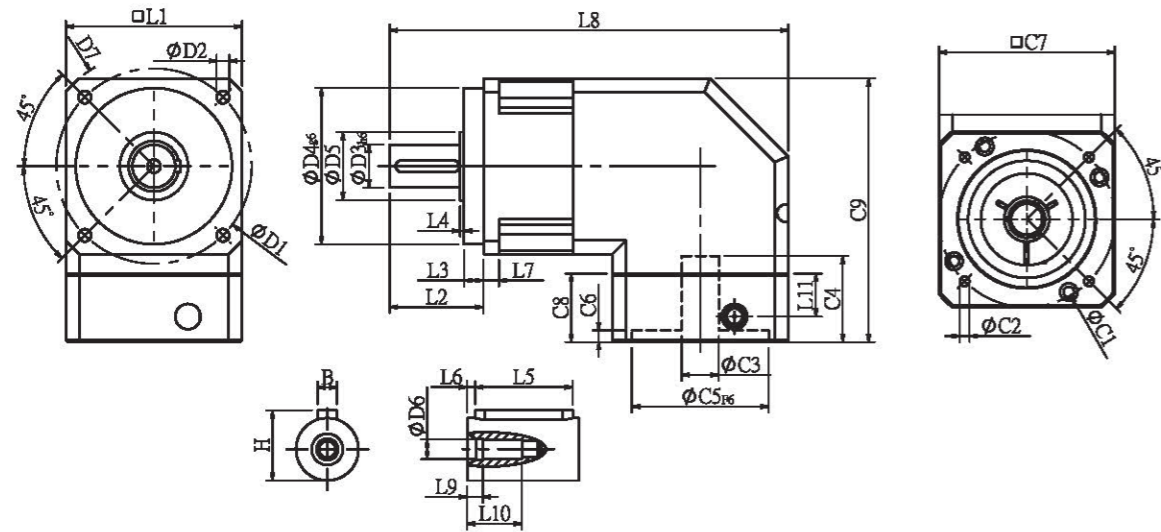




FICOBA (Recinto Ferial Gipuzkoa)
 AVDA. IPARRALDE, 43 - ROOM 3
 20302 IRUN-GIPUZKOA (SPAIN)
 ☎ 00 34 646 211965
 ✉ RCC@RCCINDUSTRIAL.COM
 🌐 RCCINDUSTRIAL
 WWW.RCCINDUSTRIAL.COM

● PGRH Single Stage Dimensions PGRH單段外型尺寸圖



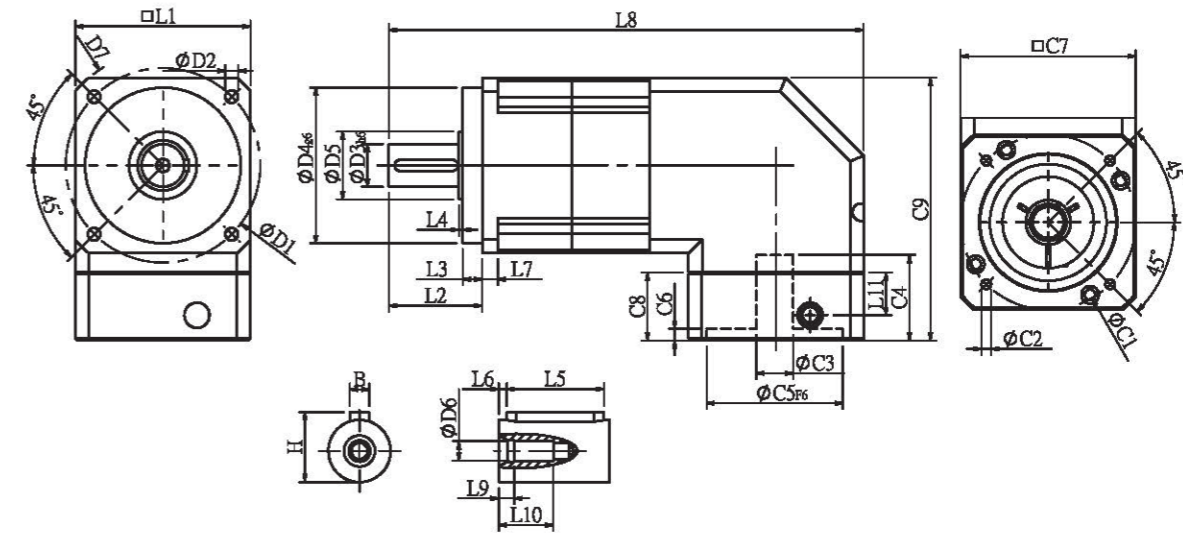
● Specifications 規格

Unit:mm

尺寸 Dimensions	PGRH42	PGRH60	PGRH90	PGRH115	PGRH142
D1	50	70	100	130	165
D2	3.4	5.5	6.5	8.5	10.5
D3 h6	13	16	22	32	40
D4 g6	35	50	80	110	130
D5	15	25	35	45	50
D6	M4x0.7P	M5x0.8P	M8x1.25P	M12x1.75P	M16x2P
D7	56	80	118	148	186
L1	42.6	60	90	115	142
L2	26	37	48	63	91.5
L3	5.5	7	10	8	8
L4	1.5	1.5	1.5	3	6
L5	15	25	32	40	60
L6	2	2	3	5	5
L7	4	6	8	12	18
L8	103.6	148.2	204	246.5	325
L9	4	4	4.5	6	6
L10	14	16.5	20.5	30	38
L11	13.5	21.5	22	32	44.7
C1 ²	46	70	90	115	145
C2 ²	M4x0.7P	M5x0.8P	M6x1P	M8x1.25P	M8x1.25P
C3 ²	≤8	≤14	≤19/≤24	≤24	≤35
C4 ²	29	34	44	53	75
C5 ² F6	30	50	70	95	110
C6 ²	6	5	5	6	9
C7 ²	42.6	60	90	115	140
C8 ²	25	33	35	48	65
C9 ²	70.8	107.8	135	174.5	207
B	5	5	6	10	12
H	15	18	24.5	35	43

★ C1~C9是公製標準馬達連接板尺寸,請依所選用的馬達決定。
 ★ 本公司有權針對以上數據規格進行設計變更不先行告知。
 ★ C1~C9 are motor specific dimensions(metric std shown),
 Size may vary according to the motor flange chosen.
 ★ Specification subject to change without notice.

● PGRH Double Stage Dimensions-1 PGRH雙段外型尺寸圖-1



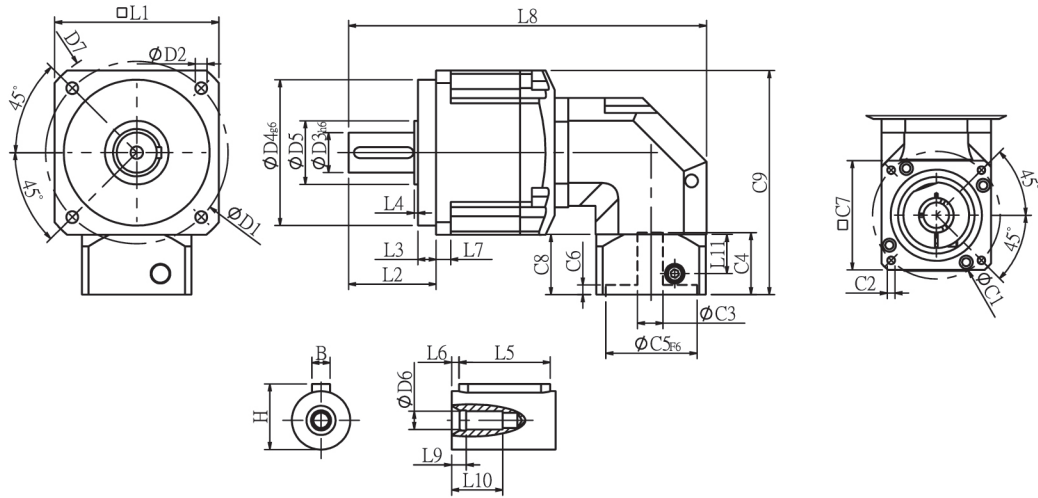
● Specifications 規格

Unit:mm

尺寸 Dimensions	PGRH42	PGRH60	PGRH90
D1	50	70	100
D2	3.4	5.5	6.5
D3 h6	13	16	22
D4 g6	35	50	80
D5	15	25	35
D6	M4x0.7P	M5x0.8P	M8x1.25P
D7	56	80	118
L1	42.6	60	90
L2	26	37	48
L3	5.5	7	10
L4	1.5	1.5	1.5
L5	15	25	32
L6	2	2	3
L7	4	6	8
L8	130.6	181.2	248
L9	4	4	4.5
L10	14	16.5	20.5
L11	13.5	21.5	22
C1 ²	46	70	90
C2 ²	M4x0.7P	M5x0.8P	M6x1.0P
C3 ²	≤8	≤14	≤19/≤24
C4 ²	29	34	44
C5 ² F6	30	50	70
C6 ²	6	5	5
C7 ²	42.6	60	90
C8 ²	25	33	35
C9 ²	70.8	107.8	135
B	5	5	6
H	15	18	24.5

★ C1~C9是公製標準馬達連接板尺寸,請依所選用的馬達決定。
 ★ 本公司有權針對以上數據規格進行設計變更不先行告知。
 ★ C1~C9 are motor specific dimensions(metric std shown),
 Size may vary according to the motor flange chosen.
 ★ Specification subject to change without notice.

PGRH Double Stage Dimensions-2 PGRH雙段外型尺寸圖-2



Specifications 規格

Unit:mm

尺寸 Dimensions	PGRH60T	PGRH90T	PGRH115T	PGRH142T	PGRH180T	PGRH220T
D1	70	100	130	165	215	-
D2	5.5	6.5	8.5	10.5	13	-
D3 h6	16	22	32	40	55	-
D4 g6	50	80	110	130	160	-
D5	25	35	45	50	70	-
D6	M5x0.8P	M8x1.25P	M12x1.75P	M16x2.0P	M20x2.5P	-
D7	80	118	148	186	239	-
L1	60	90	115	142	182	-
L2	37	48	63	91.5	100.5	-
L3	7	10	10	10	16	-
L4	1.5	1.5	3	6	2.5	-
L5	25	32	40	60	70	-
L6	2	3	5	5	6	-
L7	6	8	11	16	18	-
L8	151.8	200.7	272.5	345.5	424.5	-
L9	4	4.5	6	6	8	-
L10	16.5	20.5	30	38	48	-
L11	13.5	21.5	22	32	44.7	-
C1 ²	46	70	90	115	145	-
C2 ²	M4x0.7P	M5x0.8P	M6x1.0P	M8x1.25P	M8x1.25P	-
C3 ²	≤8	≤14	≤19/≤24	≤24	≤35	-
C4 ²	29	34	44	53	76	-
C5 ² F6	30	50	70	95	110	-
C6 ²	6	5	5	6	9	-
C7 ²	42.6	60	90	115	140	-
C8 ²	25	33	35	48	65	-
C9 ²	79.5	122.8	147.5	188	207	-
B	5	6	10	12	16	-
H	18	24.5	35	43	59	-

★ C1~C9是公製標準馬達連接板尺寸,請依所選用的馬達決定。

★ 本公司有權針對以上數據規格進行設計變更不先行告知。

★ C1~C9 are motor specific dimensions(metric std shown), Size may vary according to the motor flange chosen.

★ Specification subject to change without notice.